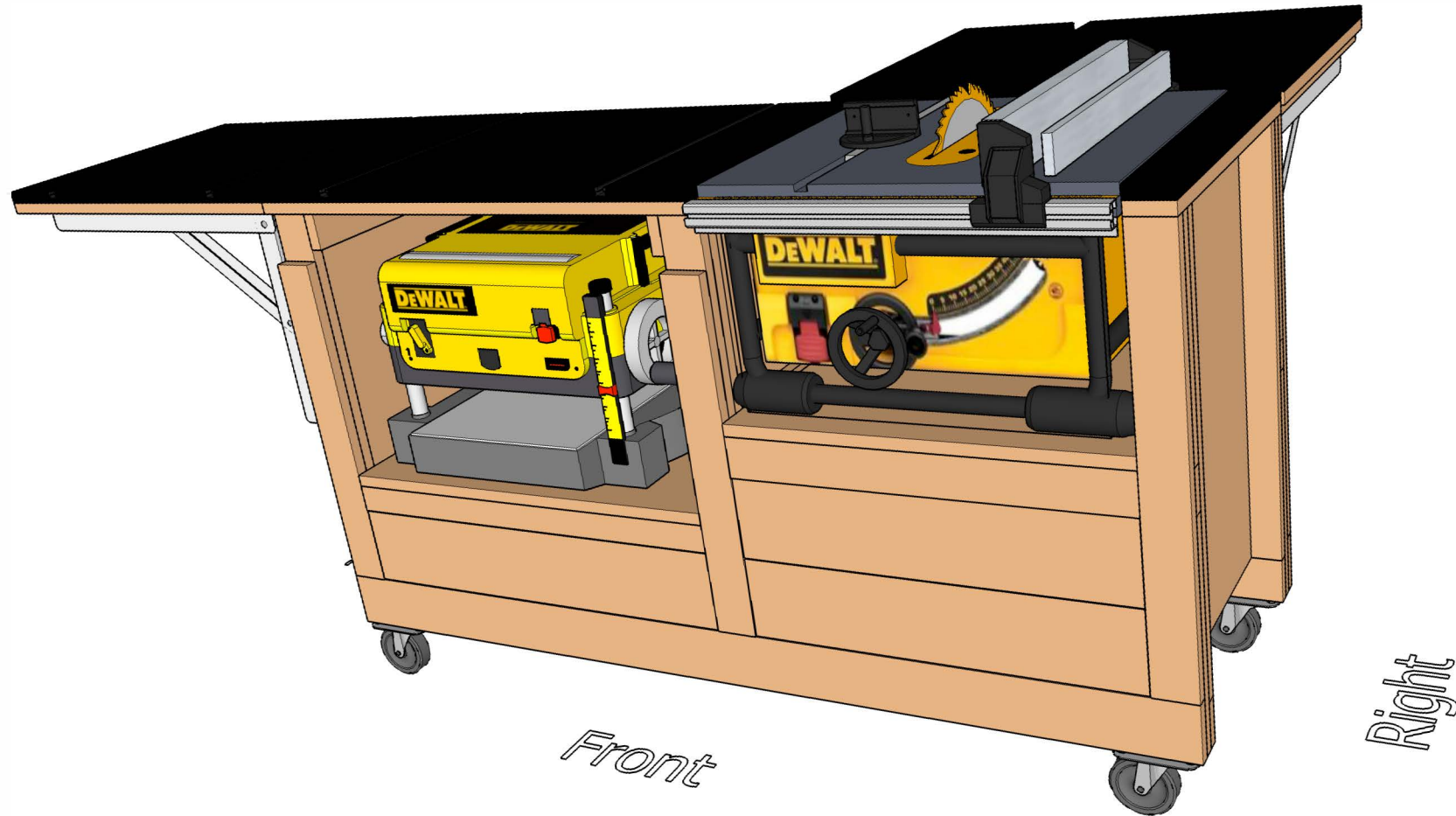


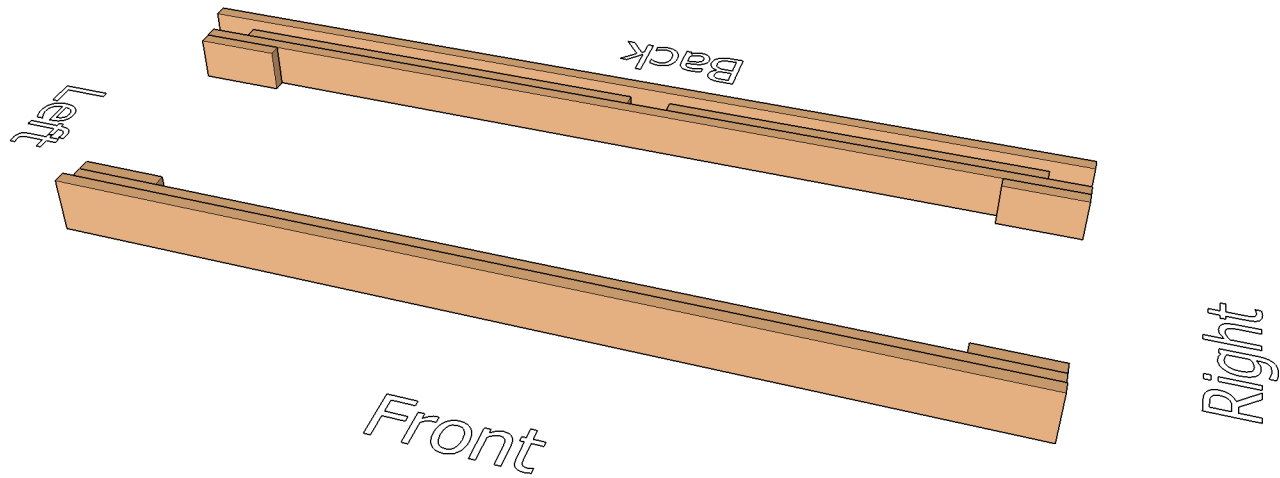
# Mobile Tool Compact Tool Cart Plans and Cut List

View to View Series Link Below for Assemble Instructions

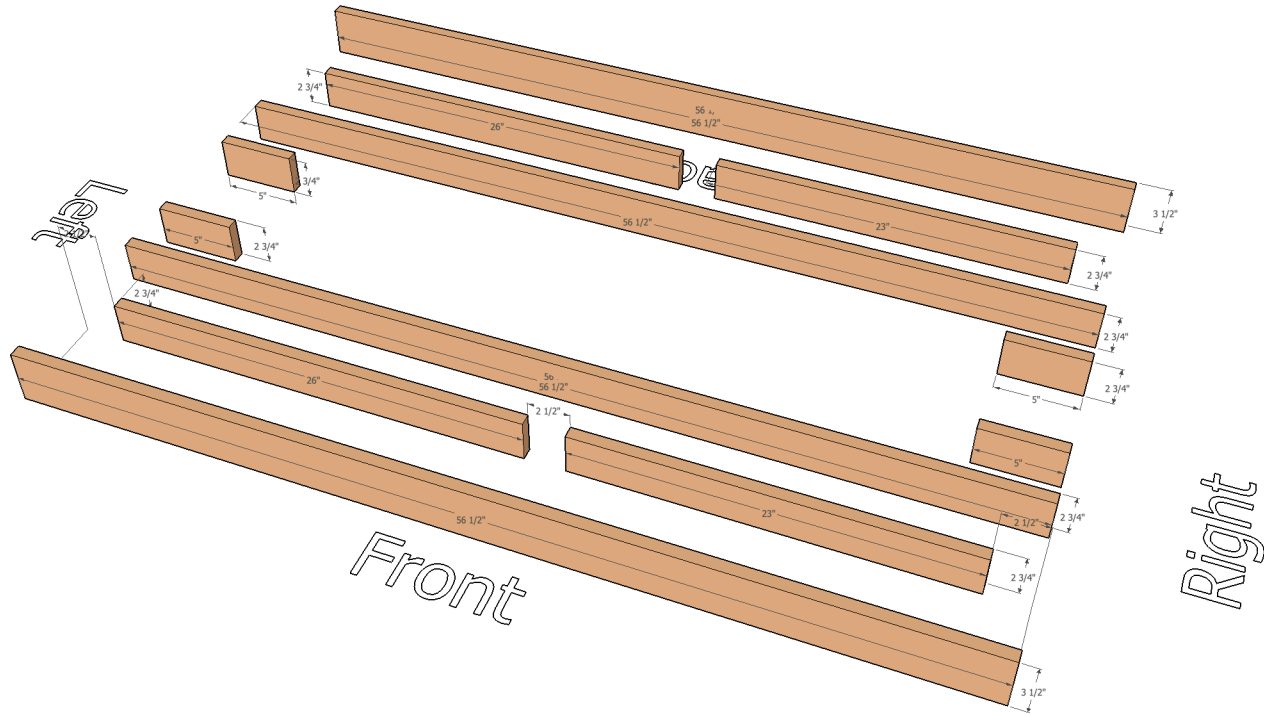
<https://www.youtube.com/playlist?list=PLgkdT0Jf4Jrx dg AgnBvskpvdeA8860LmA>



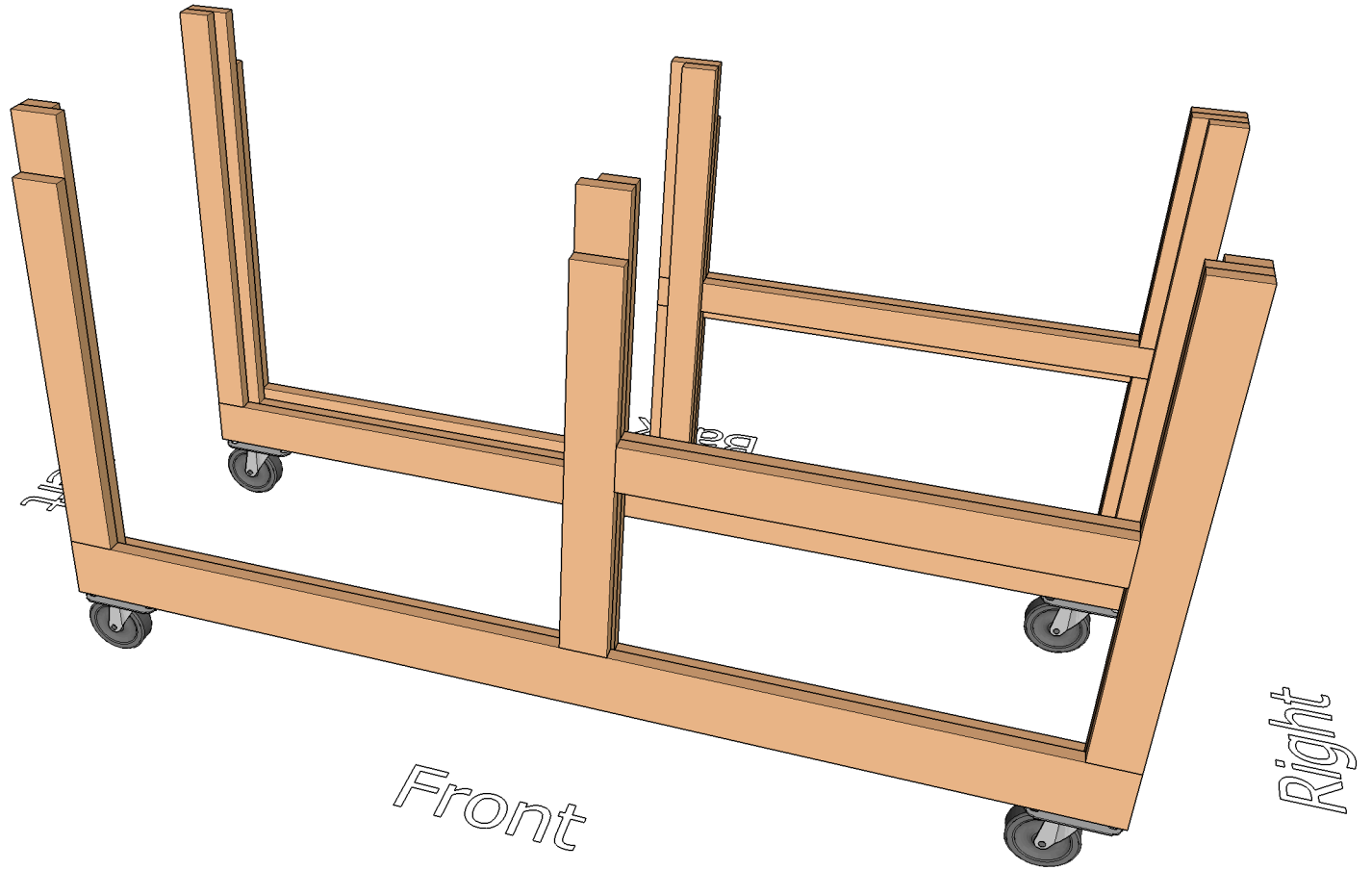
## Base Frame



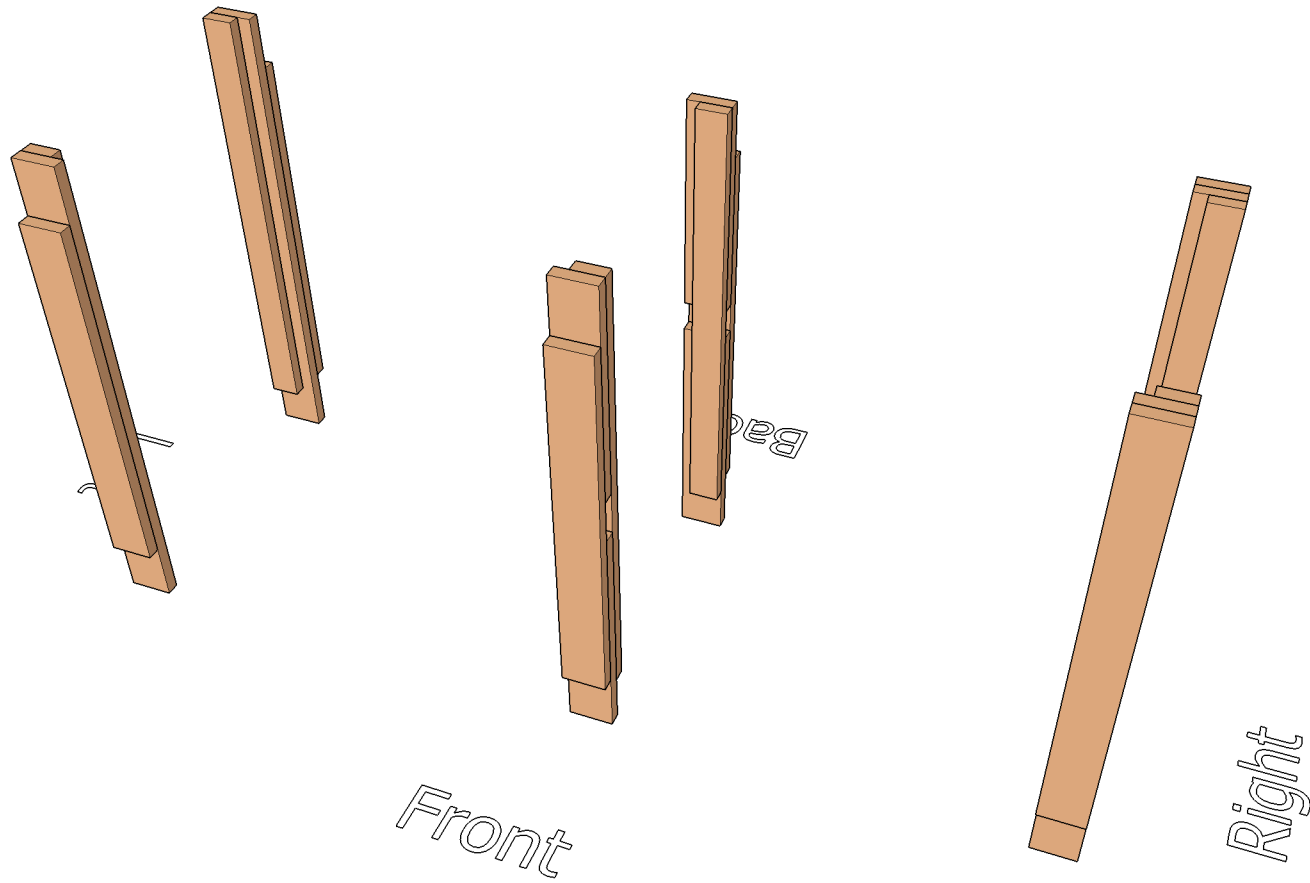
# Base Frame Exploded



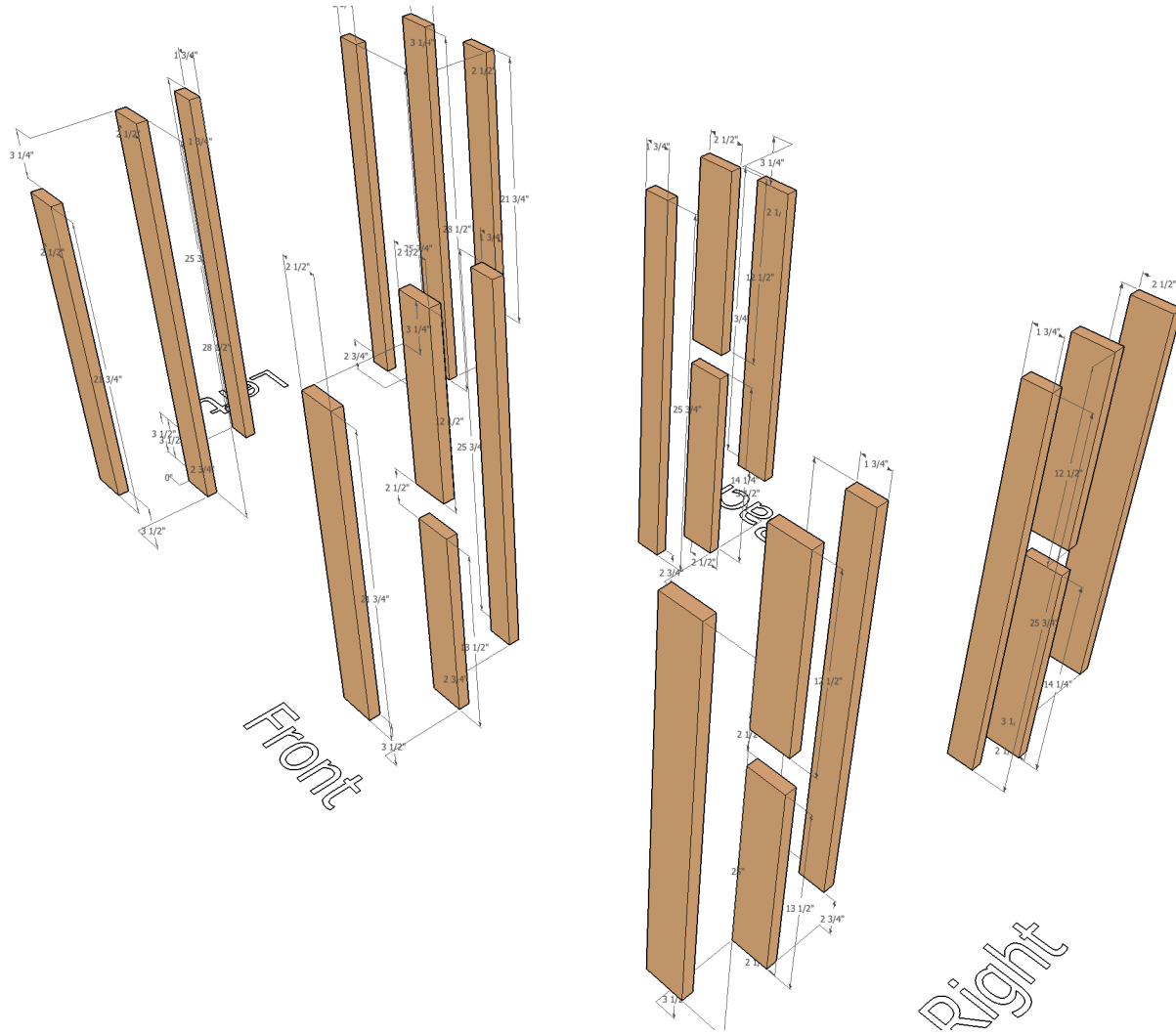
## Frame Assembly



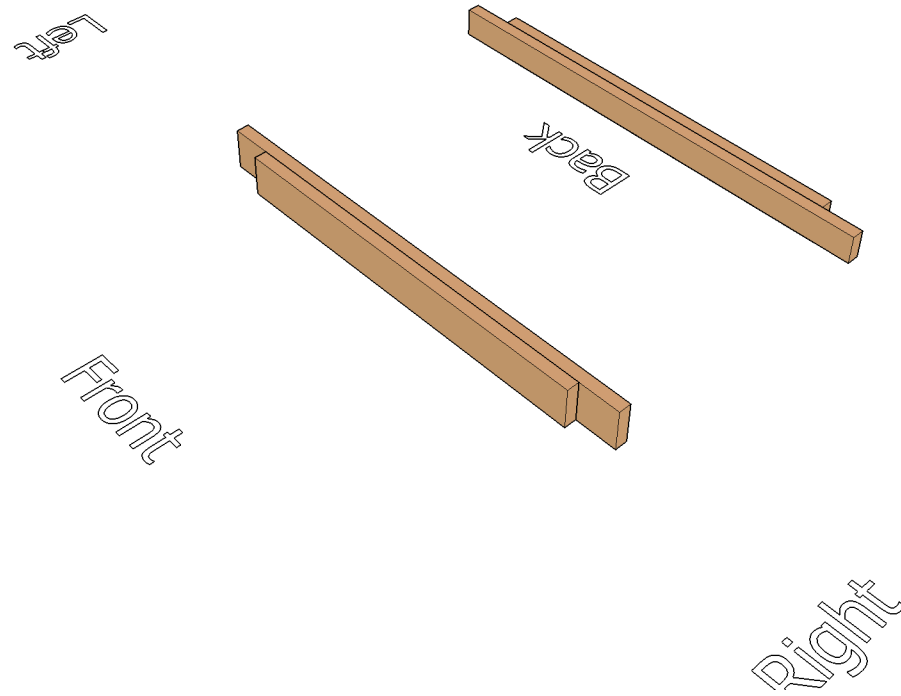
## Legs



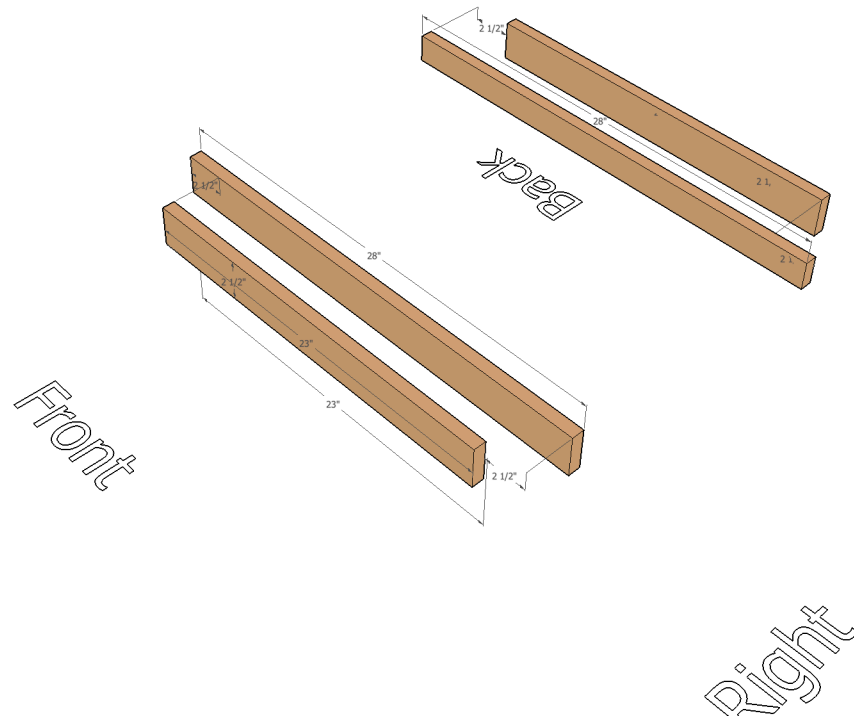
## Legs Exploded



## Frame Stretchers

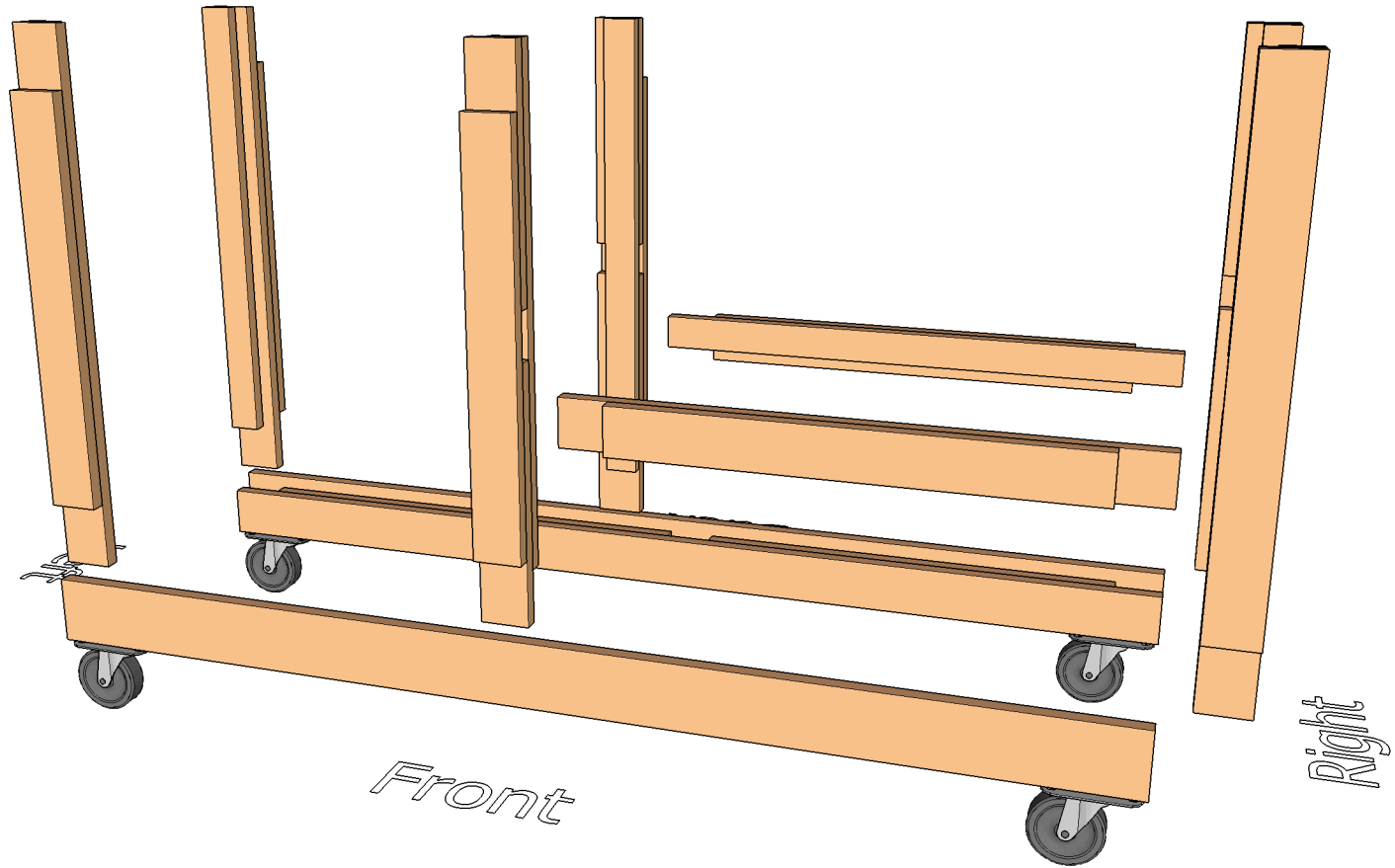


## Frame Stretchers Exploded

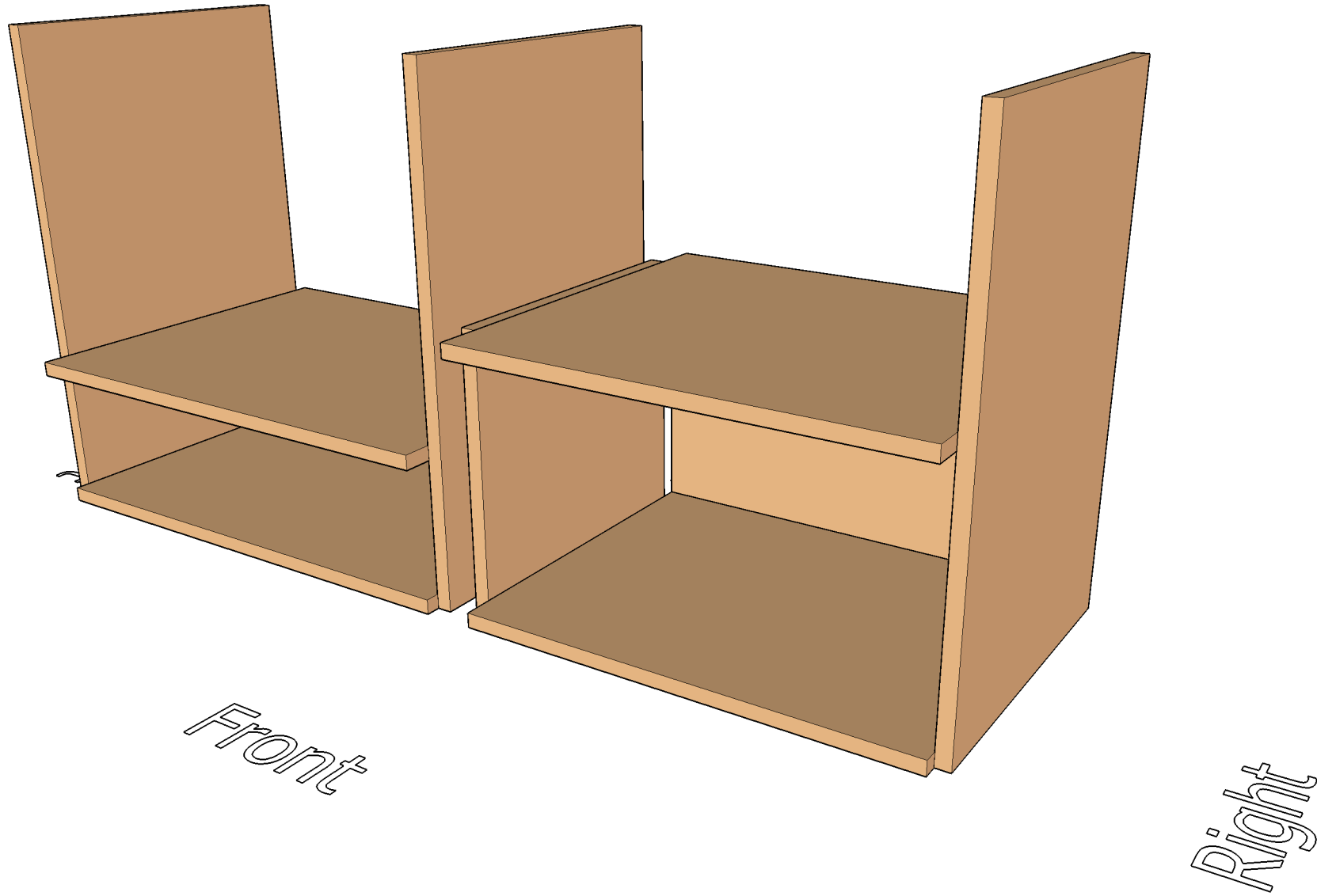




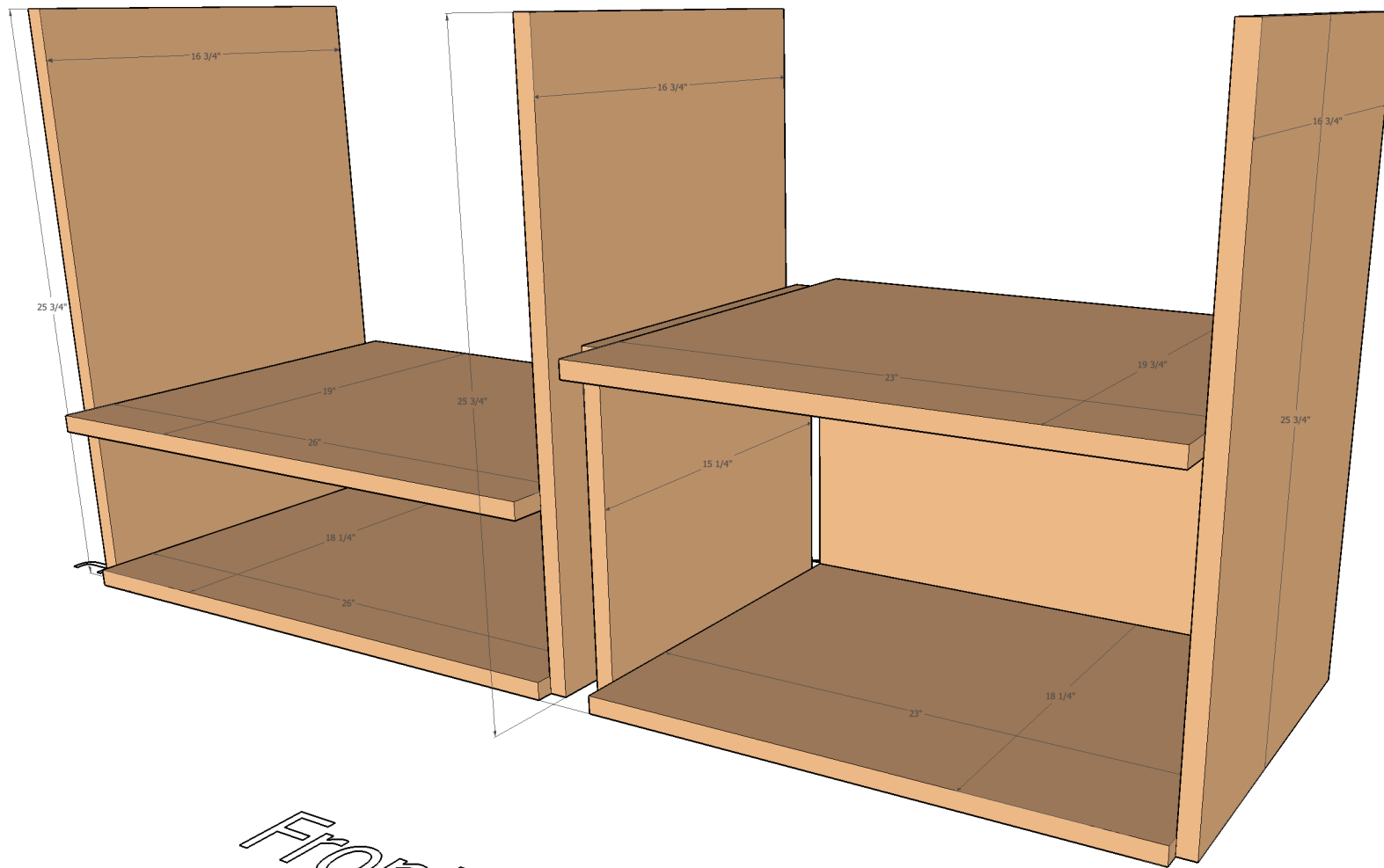
## Frame Assembly Exploded



## Sheathing Components



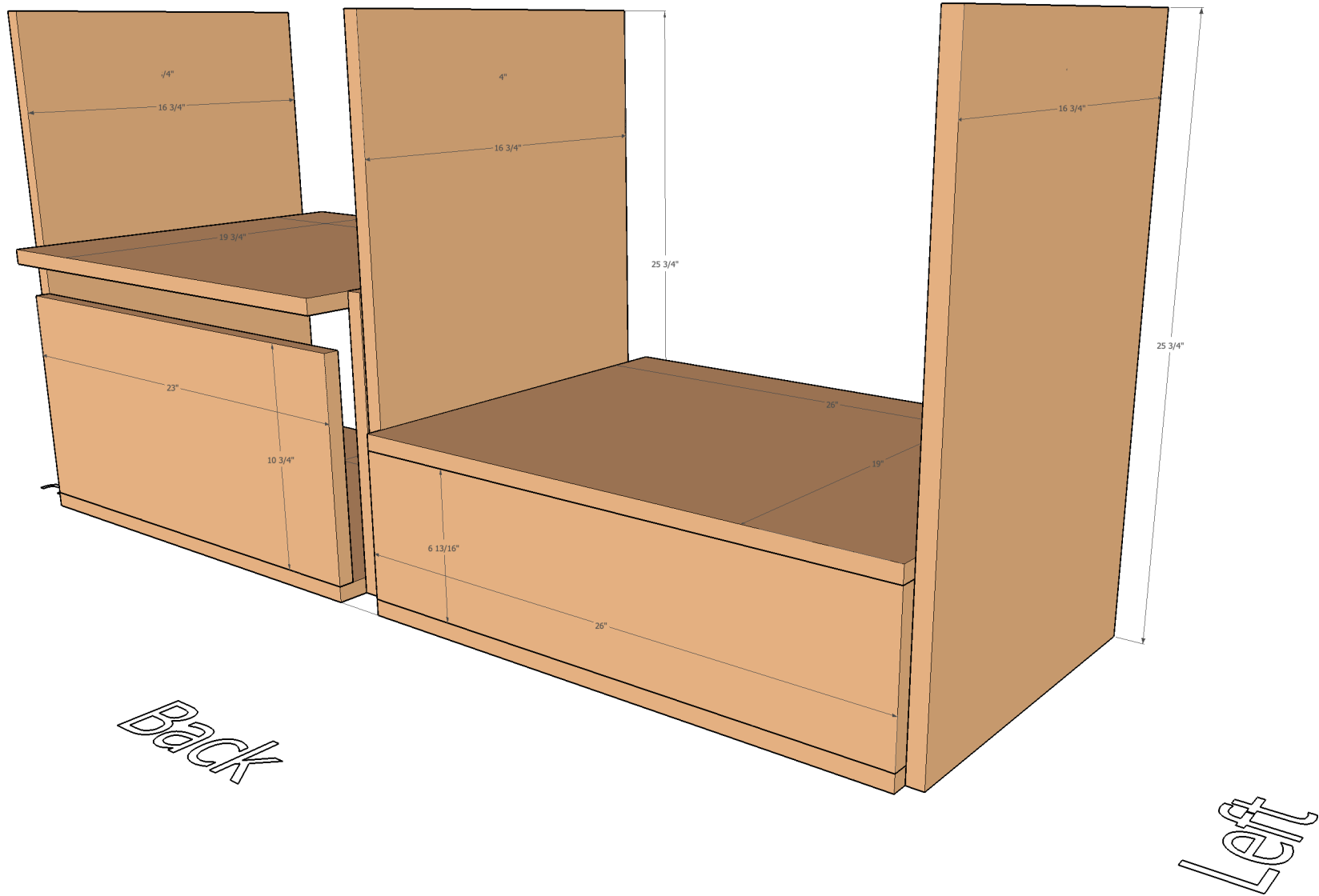
### Sheathing Component Dimensions



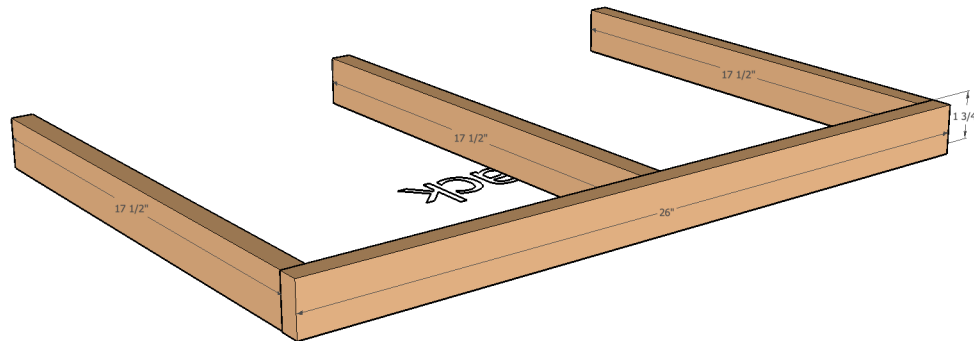
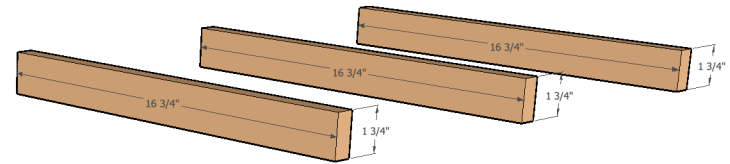
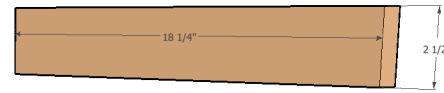
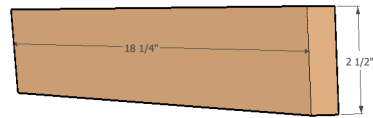
*Front*

*Right*

## Sheathing Component Dimensions



## Shelf Supports



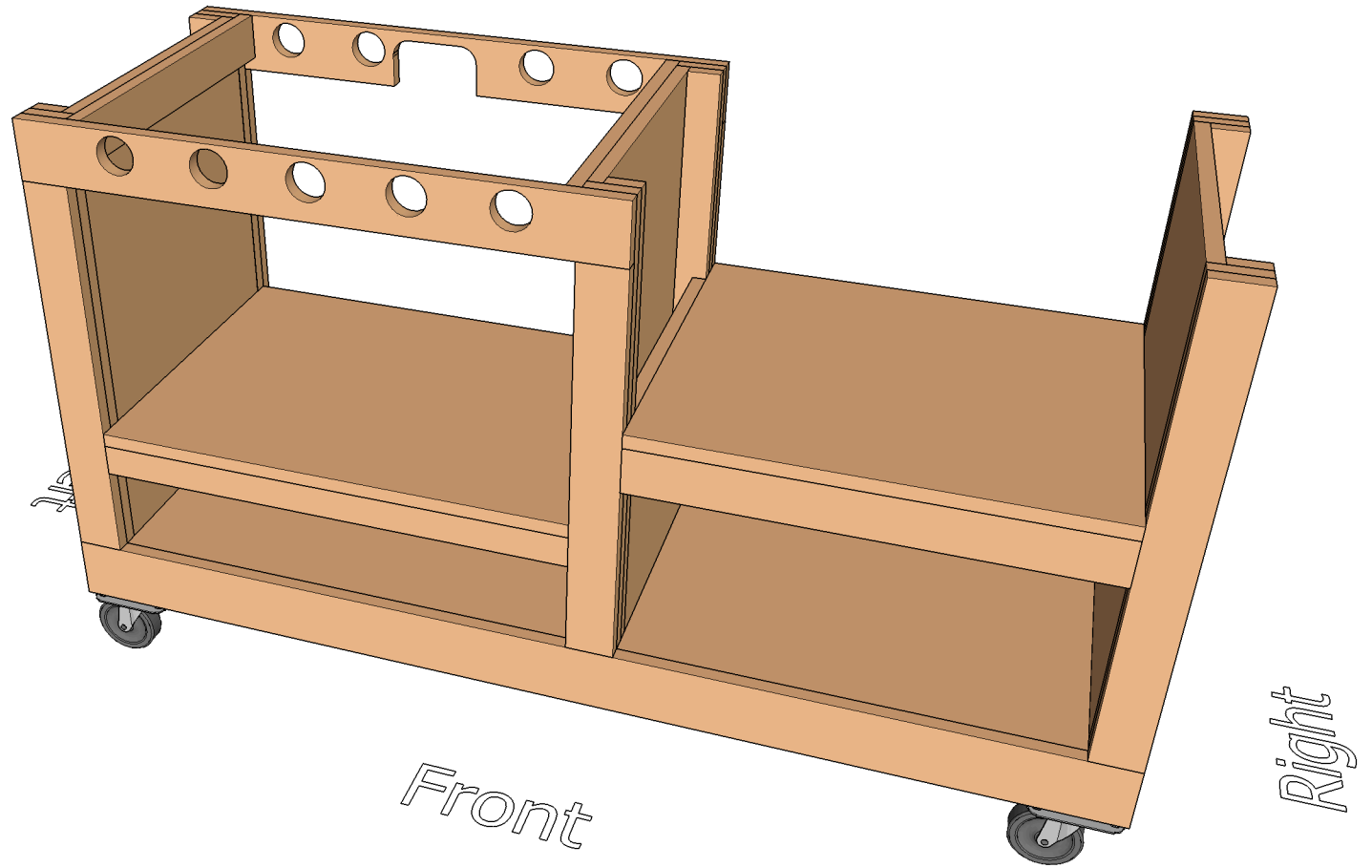
Left

Back

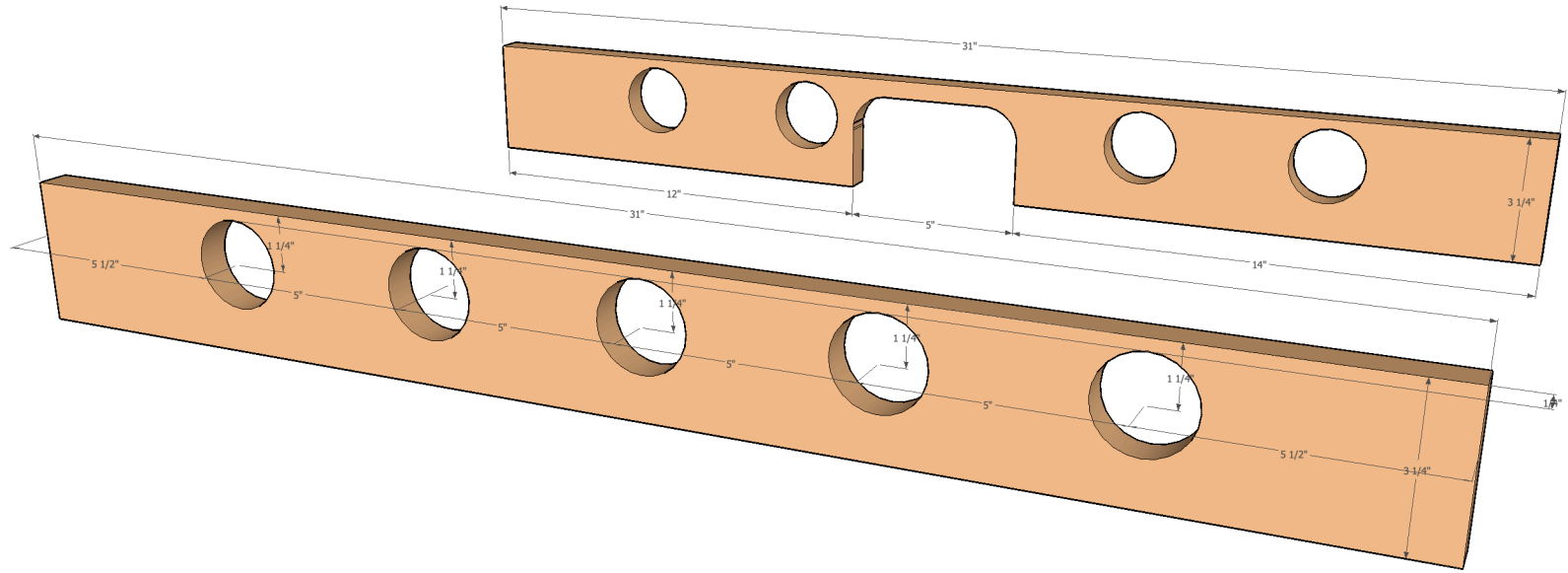
Right

Front

## Torsion Box Sides



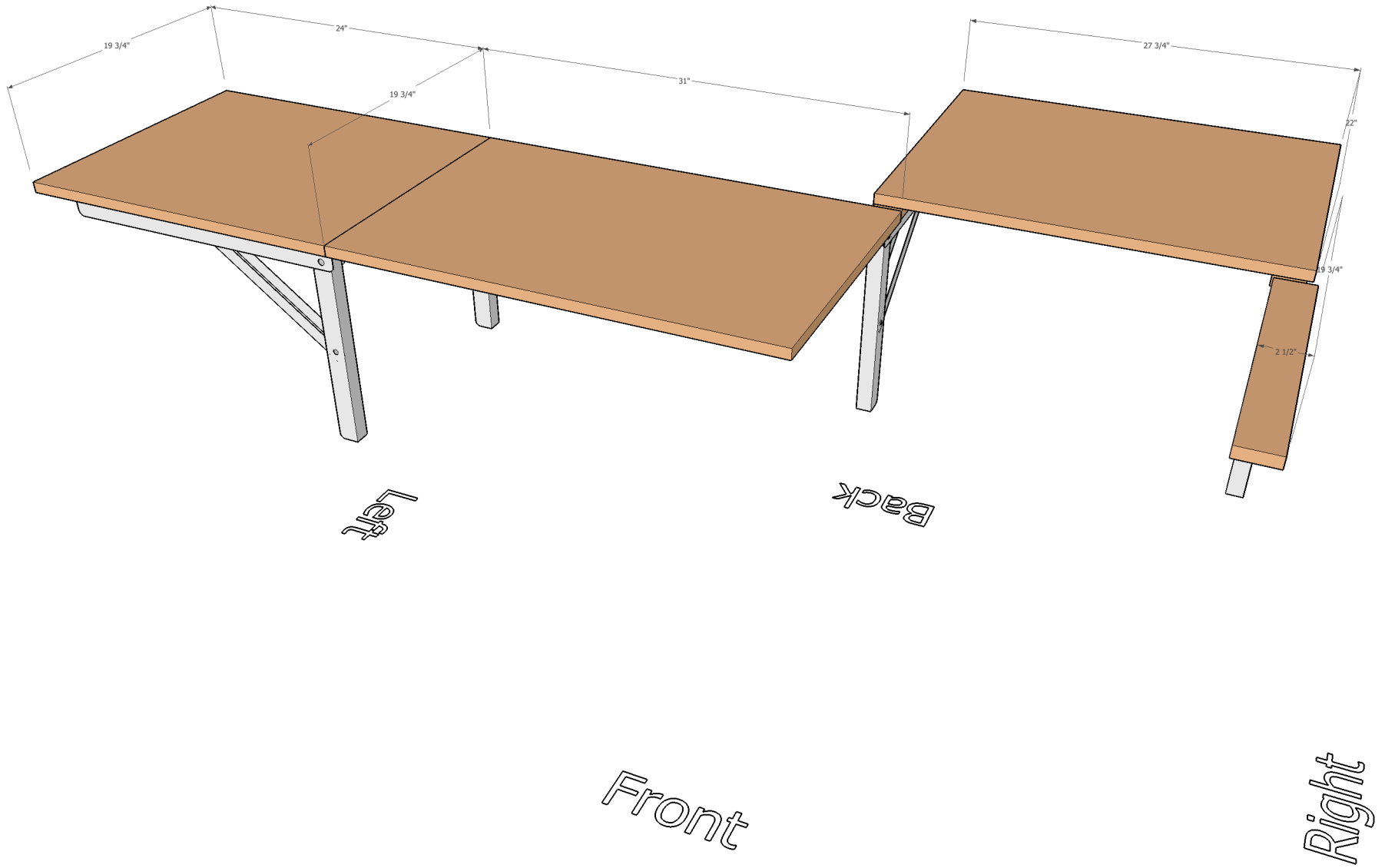
### Torsion Box Side Cut Dimensions



Left

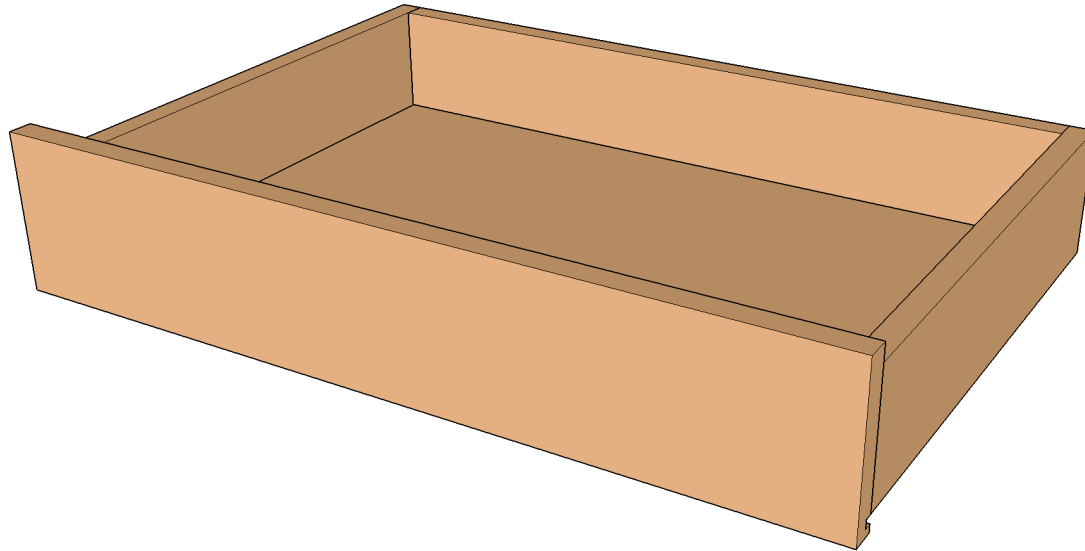
Back

### Top Plywood Dimensions

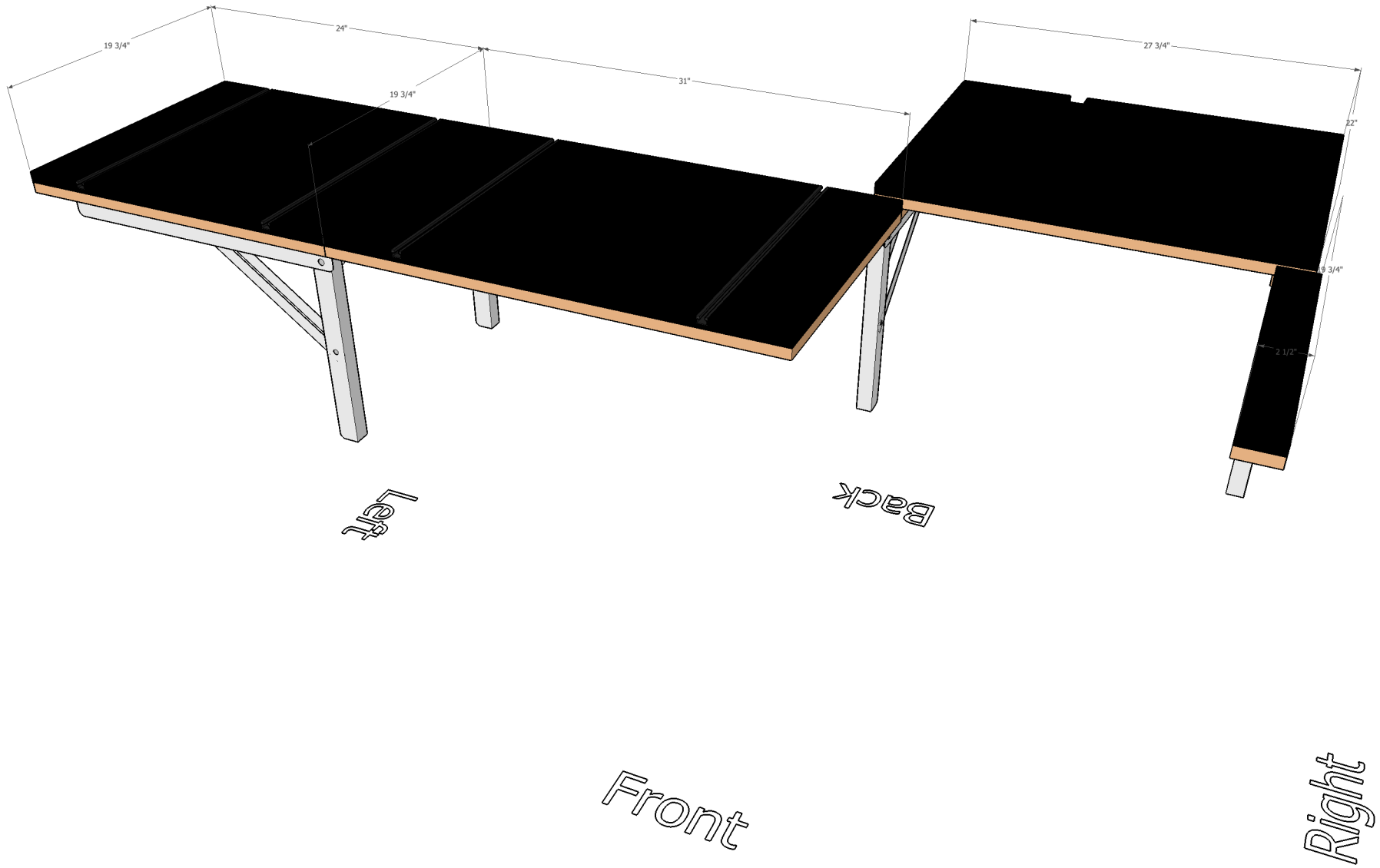




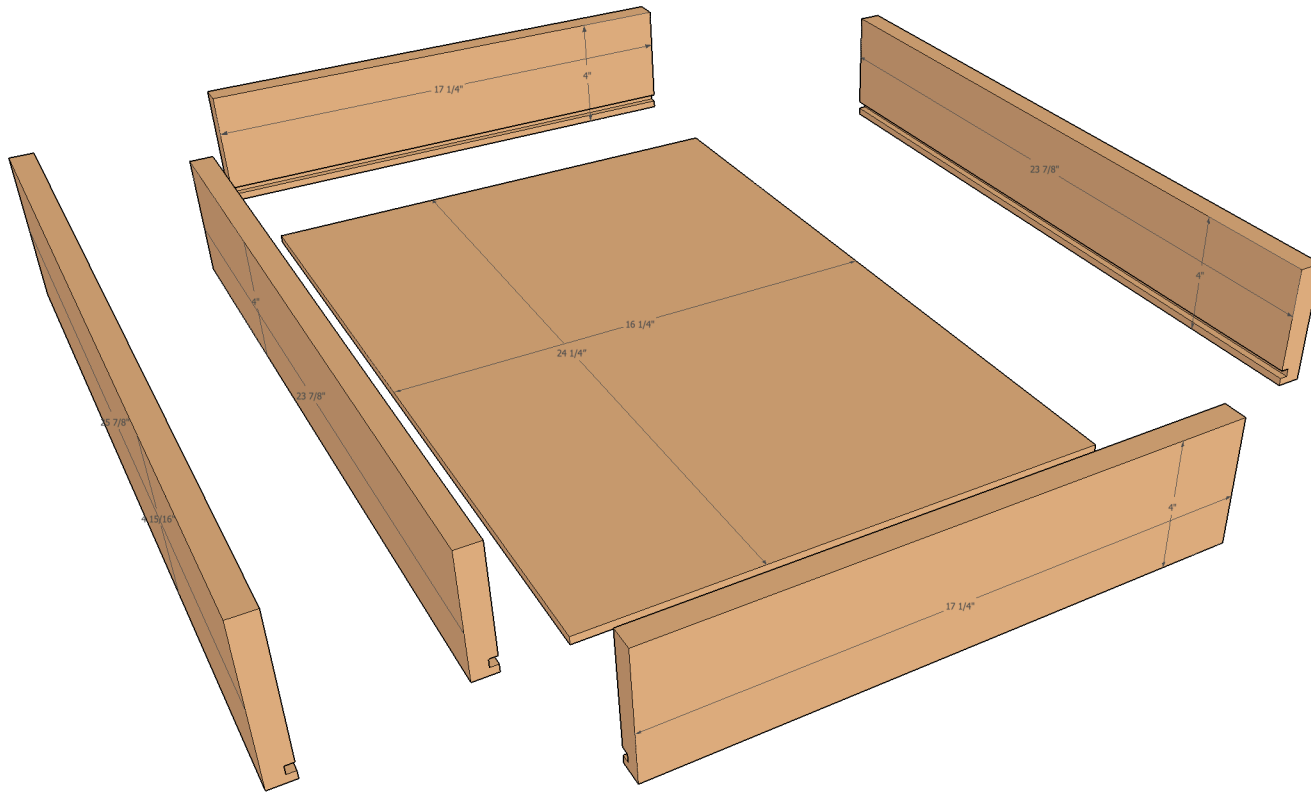
## Drawer Assembly



## Melamine Top Dimensions



## Exploded Drawer Assembly



## WorkBench.skp

### Summary

#### Settings

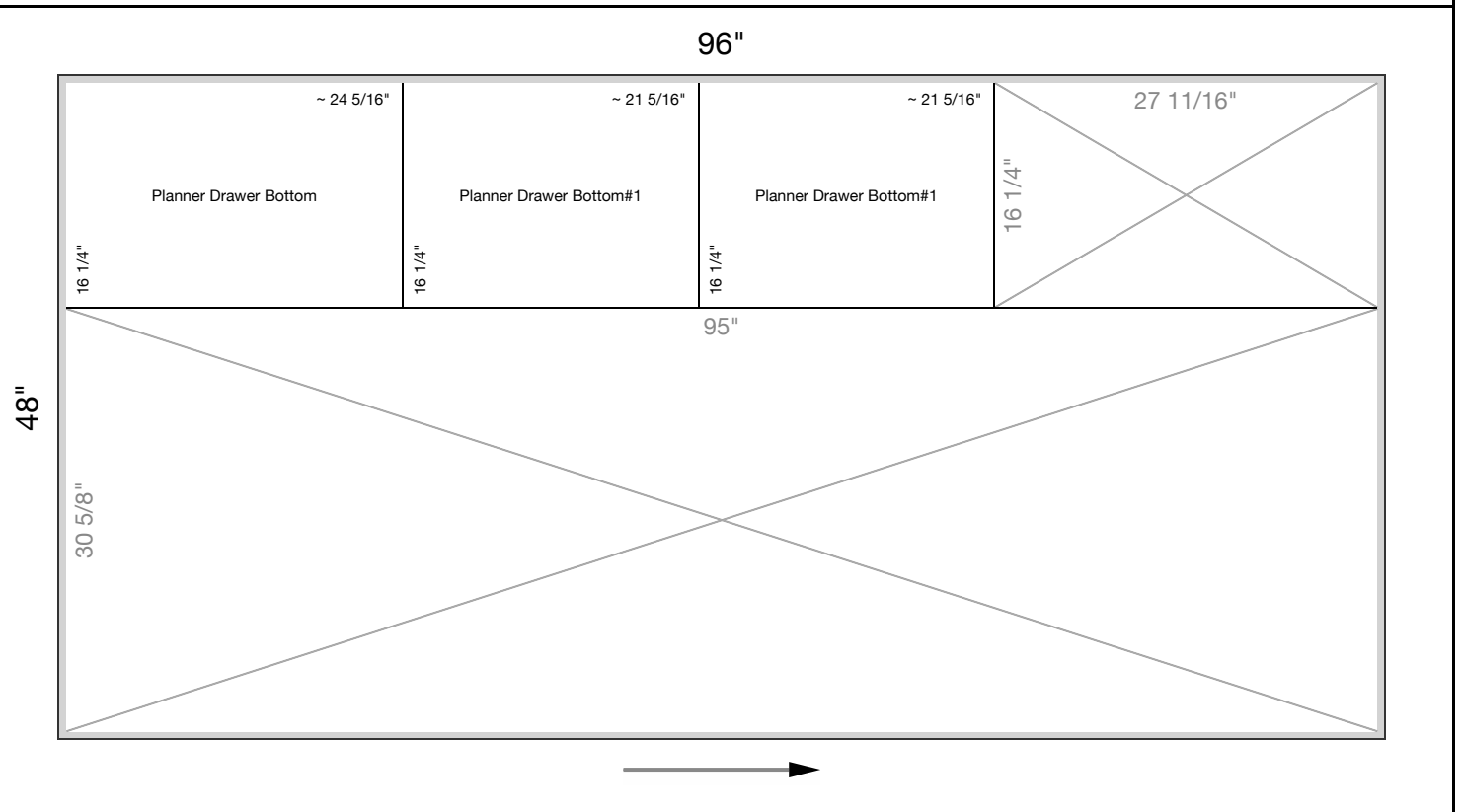
- **Optimization Level** : Medium
- **Preferred Direction** : All Possibilities
- **Blade Thickness** : 1/8"
- **Trimming Size** : 1/2"

#### Statistics

- **Number of cuts** : 4
- **Length of cuts** : 11.9792 '
- **Overall efficiency** : 24.36%

Panel	Qty.	Length	Width	Σ Area	# Parts
1/4 Plywood / 1/4" - Standard Panel	1	96"	48"	32.0000 ft <sup>2</sup>	3

1/4 Plywood / 1/4" - 96" x 48" - Standard Panel



No.	Designation	Qty.	Finished	
			L	W
A	Planner Drawer Bottom	1	~ 24 5/16"	16 1/4"
B	Planner Drawer Bottom#1	2	~ 21 5/16"	16 1/4"

Grain Follows Length | **Trimming** : 1/2" | 3 parts

**Length of cuts** : 11.9792 ' | **Efficiency** : 24.36%

WorkBench.skp


Summary

Settings

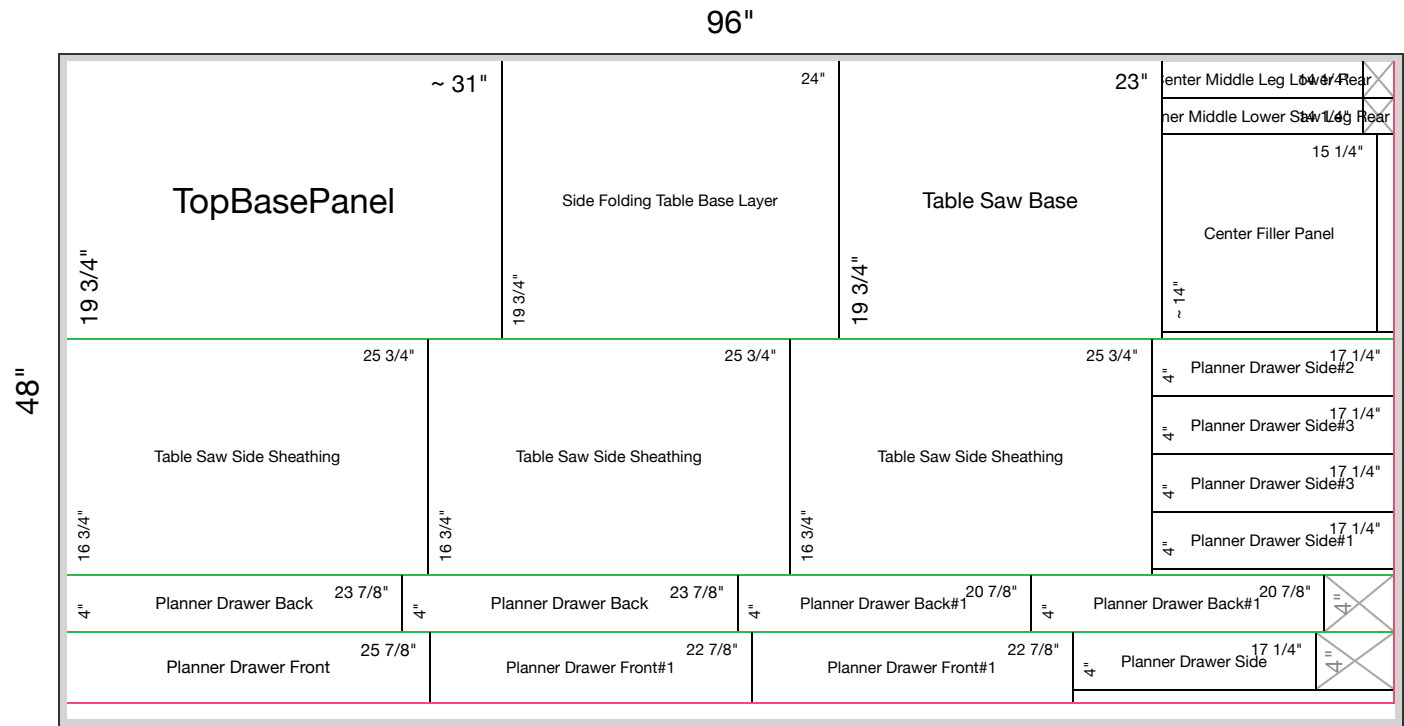
- **Optimization Level** : Medium
- **Preferred Direction** : All Possibilities
- **Blade Thickness** : 1/8"
- **Trimming Size** : 1/2"

Statistics

- **Number of cuts** : 116
- **Length of cuts** : 253.2135 '
- **Overall efficiency** : 72.88%

Panel	Qty.	Length	Width	Σ Area	# Parts
 3/4 Plywood / 3/4" - Standard Panel	3	96"	48"	96.0000 ft <sup>2</sup>	78

3/4 Plywood / 3/4" - 96" x 48" - Standard Panel




| Primary cuts (level 1)
 | Primary cuts (level 2)

↓ 46 5/16"
 ↓ 20 1/4"

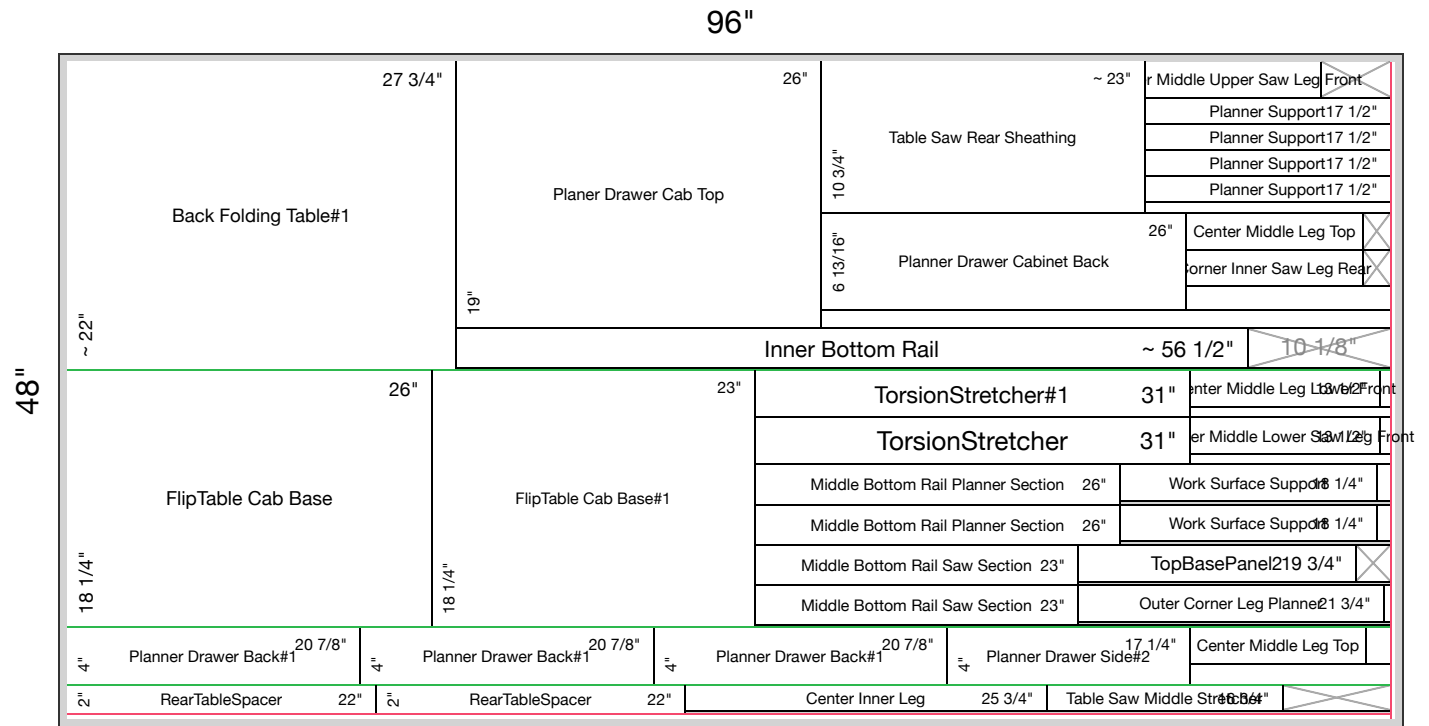
→ 95 3/8"
 ↓ 37 1/8"

↓ 41 1/4"

No.	Designation	Qty.	Finished	
			L	W
<b>F</b>	TopBasePanel	1	~ 31"	19 3/4"
<b>Q</b>	Planner Drawer Front	1	25 7/8"	4 15/16"
<b>R</b>	Table Saw Side Sheathing	3	25 3/4"	16 3/4"
<b>AA</b>	Side Folding Table Base Layer	1	24"	19 3/4"
<b>AB</b>	Planner Drawer Back	1	23 7/8"	4"
<b>AC</b>	Planner Drawer Back	1	23 7/8"	4"
<b>AD</b>	Table Saw Base	1	23"	19 3/4"
<b>AK</b>	Planner Drawer Front#1	2	22 7/8"	4 15/16"
<b>AQ</b>	Planner Drawer Back#1	2	20 7/8"	4"
<b>AU</b>	Planner Drawer Side#2	1	17 1/4"	4"

<b>AV</b>	Planner Drawer Side#3		2	17 1/4"	4"
<b>AW</b>	Planner Drawer Side		1	17 1/4"	4"
<b>AX</b>	Planner Drawer Side#1		1	17 1/4"	4"
<b>AZ</b>	Center Filler Panel		1	15 1/4"	~ 14"
<b>BA</b>	Center Middle Leg Lower Rear 28 x 3.5 x .75	▶◀	1	14 1/4"	~ 2 1/2"
<b>BB</b>	Corner Middle Lower Saw Leg Rear 28 x 3.5 x .75	▶◀	1	14 1/4"	~ 2 1/2"
 Grain Follows Length   <b>Trimming : 1/2"</b>   21 parts			<b>Length of cuts : 60.8542 '   Efficiency : 93.52%</b>		

3/4 Plywood / 3/4" - 96" x 48" - Standard Panel



Primary cuts (level 1)

- ↓ 47 1/8"
- 95 1/8"

Primary cuts (level 2)

- ↓ 22 1/2"
- ↓ 40 7/8"
- ↓ 45"

No.	Designation	Qty.	Finished	
			L	W
<b>C</b>	Inner Bottom Rail 82.5 x 3.5 x .75	1	~ 56 1/2"	2 3/4"
<b>D</b>	TorsionStretcher	1	31"	3 1/4"
<b>E</b>	TorsionStretcher#1	1	31"	3 1/4"
<b>J</b>	Back Folding Table#1	1	27 3/4"	~ 22"
<b>K</b>	Planer Drawer Cab Top	1	26"	19"
<b>L</b>	FlipTable Cab Base	1	26"	18 1/4"
<b>M</b>	Planner Drawer Cabinet Back	1	26"	6 13/16"
<b>N</b>	Middle Bottom Rail Planner Section 24 x 3.5 x .75	1	26"	2 3/4"

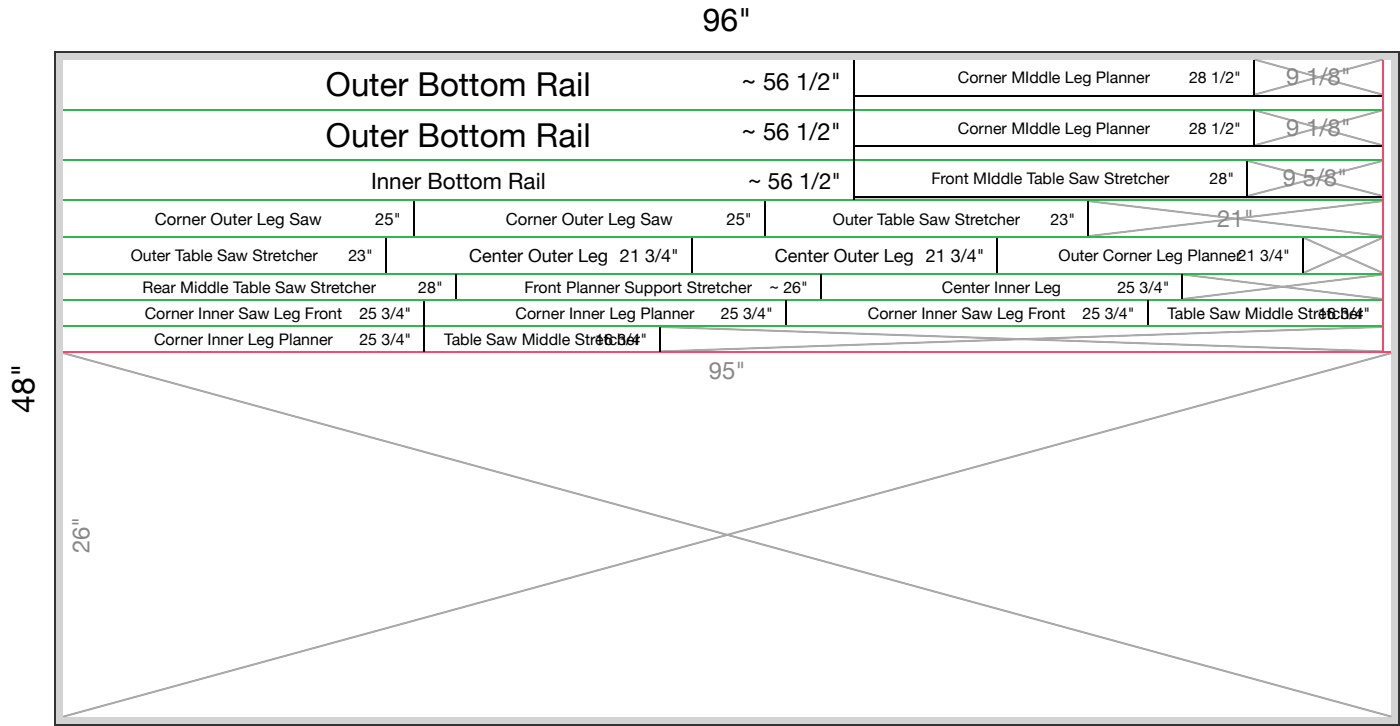


<b>U</b>	Middle Bottom Rail Planner Section 24 x 3.5 x .75	SuburbanGarageWorkshop.com	▶◀	1	26"	2 3/4"
<b>T</b>	Center Inner Leg 24.5 x 3.5 x .75		▶◀	1	25 3/4"	1 3/4"
<b>AE</b>	FlipTable Cab Base#1			1	23"	18 1/4"
<b>AF</b>	Middle Bottom Rail Saw Section 24 x 3.5 x .75			1	23"	2 3/4"
<b>AG</b>	Middle Bottom Rail Saw Section 24 x 3.5 x .75		▶◀	1	23"	2 3/4"
<b>AJ</b>	Table Saw Rear Sheathing			1	~ 23"	10 3/4"
<b>AL</b>	RearTableSpacer			2	22"	2"
<b>AO</b>	Outer Corner Leg Planner 24.5 x 3.5 x .75			1	21 3/4"	2 1/2"
<b>AQ</b>	Planner Drawer Back#1			3	20 7/8"	4"
<b>AR</b>	TopBasePanel2			1	19 3/4"	2 1/2"
<b>AS</b>	Work Surface Support			2	18 1/4"	2 1/2"
<b>AT</b>	Planner Support			4	17 1/2"	1 3/4"
<b>AU</b>	Planner Drawer Side#2			1	17 1/4"	4"
<b>AY</b>	Table Saw Middle Stretcher			1	16 3/4"	1 3/4"
<b>BC</b>	Center Middle Leg Lower Front 28 x 3.5 x .75			1	13 1/2"	~ 2 1/2"
<b>BD</b>	Corner Middle Lower Saw Leg Front 28 x 3.5 x .75			1	13 1/2"	~ 2 1/2"
<b>BE</b>	Corner Inner Saw Leg Rear 28 x 3.5 x .75		▶◀	1	~ 12 1/2"	2 1/2"
<b>BF</b>	Corner Middle Upper Saw Leg Front 28 x 3.5 x .75			1	~ 12 1/2"	2 1/2"
<b>BG</b>	Center Middle Leg Top 28 x 3.5 x .75			1	~ 12 1/2"	2 1/2"
<b>BH</b>	Center Middle Leg Top 28 x 3.5 x .75		▶◀	1	~ 12 1/2"	2 1/2"

☰ Grain Follows Length | **Trimming : 1/2"** | 35 parts

**Length of cuts : 114.1198 ' | Efficiency : 90.51%**

3/4 Plywood / 3/4" - 96" x 48" - Standard Panel




Primary cuts (level 1)

- ↓ 21 3/8"
- 94 7/8"

Primary cuts (level 2)

- ↓ 4"
- ↓ 7 5/8"
- ↓ 10 1/2"
- ↓ 13 1/8"
- ↓ 15 3/4"
- ↓ 17 5/8"
- ↓ 19 1/2"

No.	Designation	Qty.	Finished	
			L	W
<b>A</b>	Outer Bottom Rail 82.5 x 3.5 x .75	1	~ 56 1/2"	3 1/2"
<b>B</b>	Outer Bottom Rail 82.5 x 3.5 x .75	1	~ 56 1/2"	3 1/2"
<b>C</b>	Inner Bottom Rail 82.5 x 3.5 x .75	1	~ 56 1/2"	2 3/4"
<b>G</b>	Corner Middle Leg Planner 28 x 3.5 x .75	2	28 1/2"	~ 2 1/2"
<b>H</b>	Front Middle Table Saw Stretcher	1	28"	~ 2 1/2"
<b>I</b>	Rear Middle Table Saw Stretcher	1	28"	~ 1 3/4"

<b>P</b>	Front Planner Support Stretcher		1	~ 26"	~ 1 3/4"
<b>S</b>	Center Inner Leg 24.5 x 3.5 x .75		1	25 3/4"	1 3/4"
<b>U</b>	Corner Inner Leg Planner 24.5 x 3.5 x .75		1	25 3/4"	1 3/4"
<b>V</b>	Corner Inner Leg Planner 24.5 x 3.5 x .75	▶◀	1	25 3/4"	1 3/4"
<b>W</b>	Corner Inner Saw Leg Front 24.5 x 3.5 x .75		1	25 3/4"	1 3/4"
<b>X</b>	Corner Inner Saw Leg Front 24.5 x 3.5 x .75	▶◀	1	25 3/4"	1 3/4"
<b>Y</b>	Corner Outer Leg Saw 24.5 x 3.5 x .75		1	25"	2 1/2"
<b>Z</b>	Corner Outer Leg Saw 24.5 x 3.5 x .75	▶◀	1	25"	2 1/2"
<b>AH</b>	Outer Table Saw Stretcher		1	23"	2 1/2"
<b>AI</b>	Outer Table Saw Stretcher	▶◀	1	23"	2 1/2"
<b>AM</b>	Center Outer Leg 24.5 x 3.5 x .75		1	21 3/4"	2 1/2"
<b>AN</b>	Center Outer Leg 24.5 x 3.5 x .75	▶◀	1	21 3/4"	2 1/2"
<b>AP</b>	Outer Corner Leg Planner 24.5 x 3.5 x .75	▶◀	1	21 3/4"	2 1/2"
<b>AY</b>	Table Saw Middle Stretcher		2	16 3/4"	1 3/4"
 Grain Follows Length   <b>Trimming : 1/2"</b>   22 parts		<b>Length of cuts : 78.2396 '   Efficiency : 34.60%</b>			

WorkBench.skp


Summary

Settings

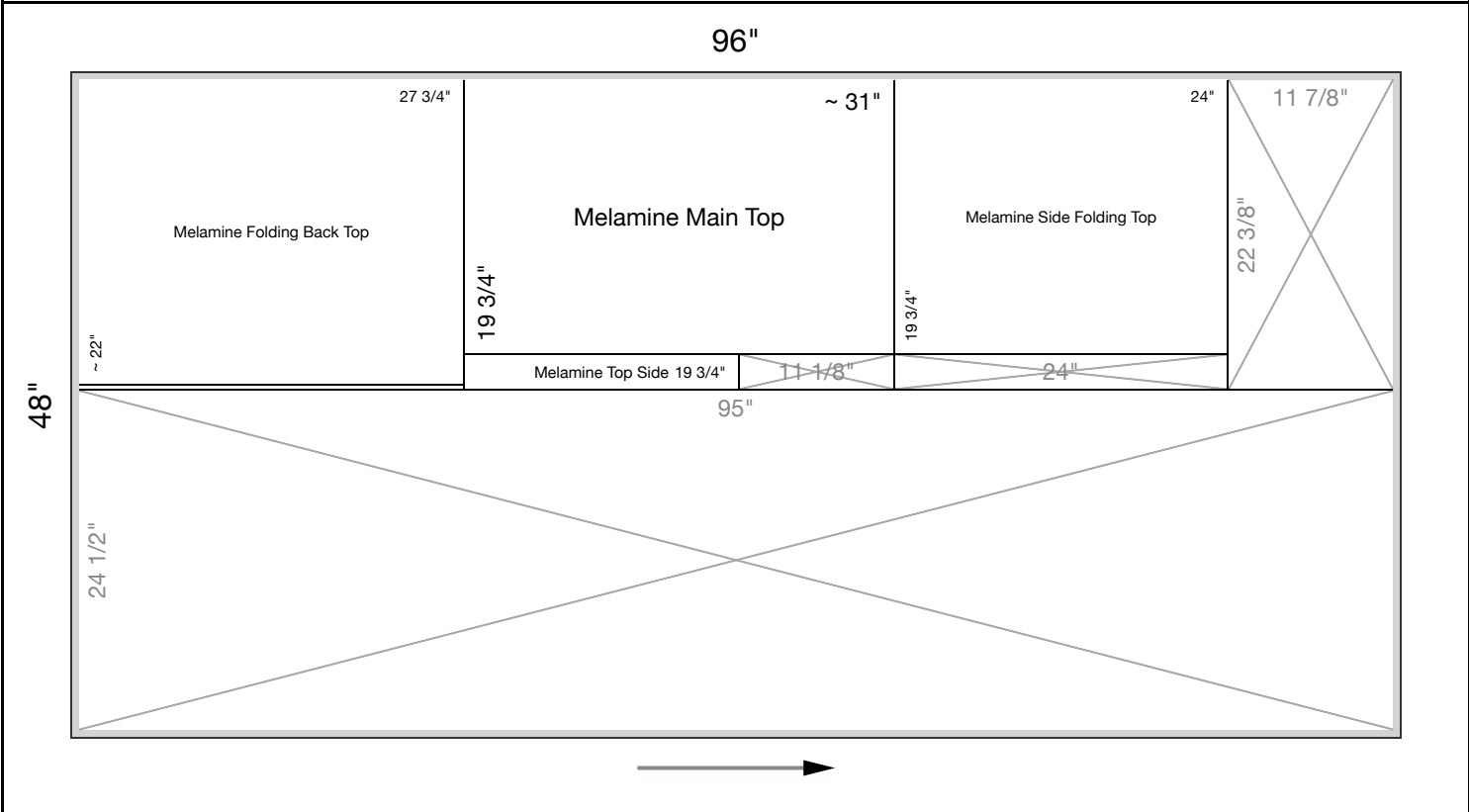
- Optimization Level : Medium
- Preferred Direction : All Possibilities
- Blade Thickness : 1/8"
- Trimming Size : 1/2"

Statistics

- Number of cuts : 7
- Length of cuts : 20.6250 '
- Overall efficiency : 39.11%

Panel	Qty.	Length	Width	Σ Area	# Parts
 3/4 Melamine / 3/4" - Standard Panel	1	96"	48"	32.0000 ft <sup>2</sup>	4

3/4 Melamine / 3/4" - 96" x 48" - Standard Panel



No.	Designation	Qty.	Finished	
			L	W
A	Melamine Main Top	1	~ 31"	19 3/4"
B	Melamine Folding Back Top	1	27 3/4"	~ 22"
C	Melamine Side Folding Top	1	24"	19 3/4"
D	Melamine Top Side	1	19 3/4"	2 1/2"

Grain Follows Length | **Trimming : 1/2"** | 4 parts

**Length of cuts : 20.6250'** | **Efficiency : 39.11%**