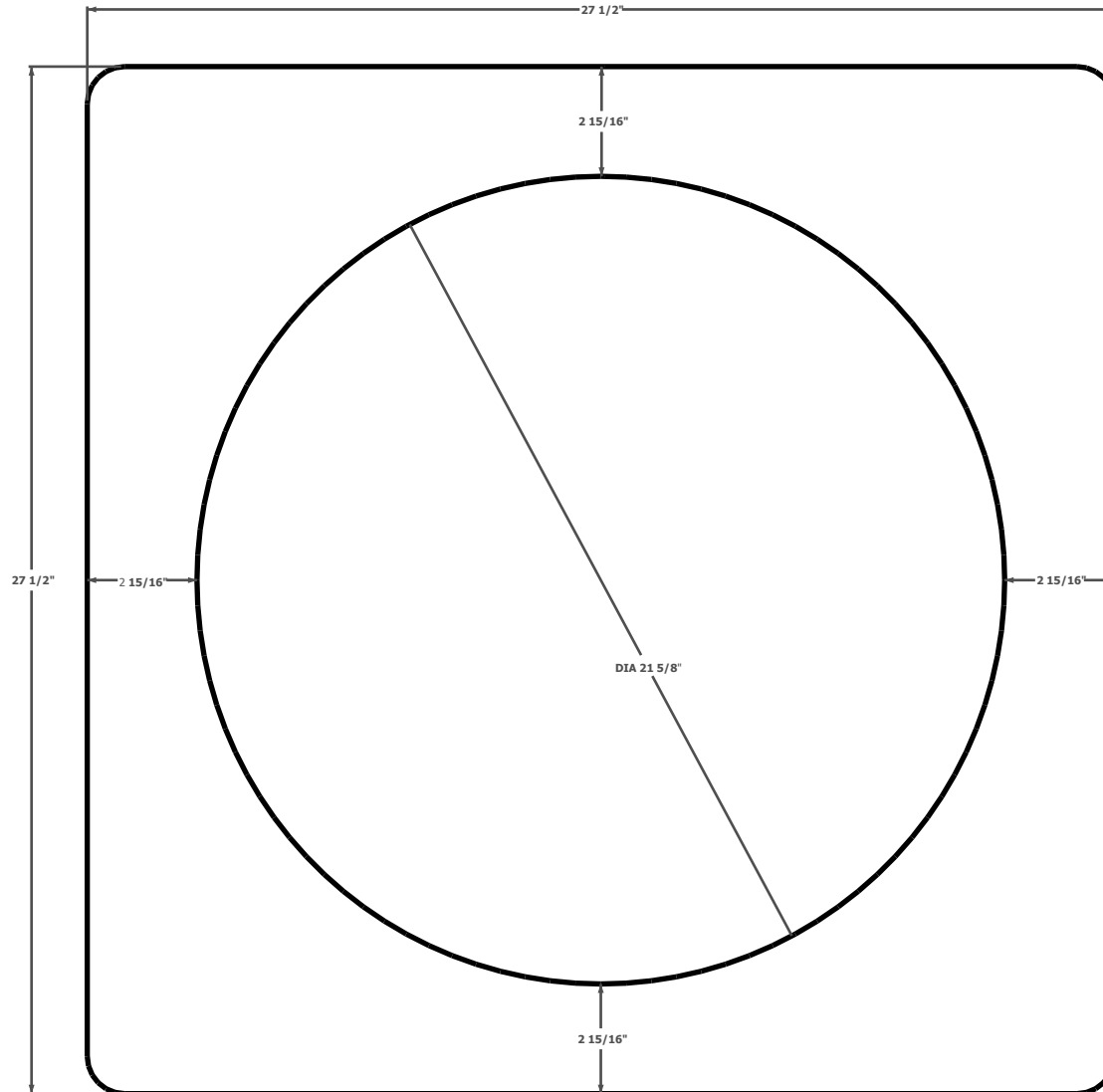


# Bottom (Fan) Panel

SuburbanGarageWorkshop.com

## 27-1/2" x 27-1/2" x 3/4" Plywood

Note: All corners are 1" radius.



NOTE: Before cutting fan hole, measure the inner fan shroud diameter to make sure that there is enough lip for it to sit securely and firmly on the plywood. Adjust hole diameter as needed. Different fans models make require modifications to diameter to fit.

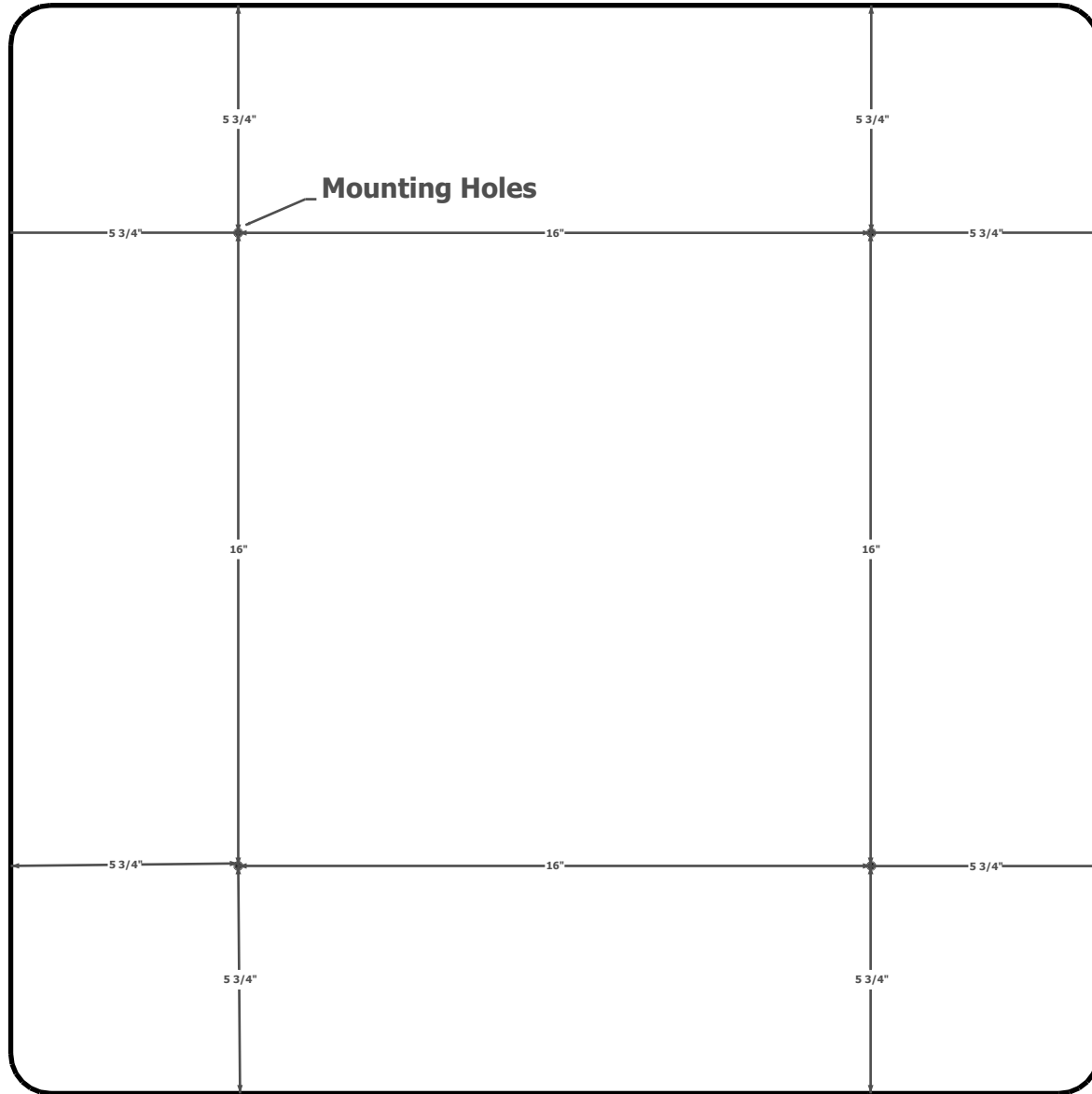
Copyright 2022, Suburban Garage Workshop, All Rights Reserved.  
These plans are for information purposes only. Build and use at own liability and risk.

# Top Panel

SuburbanGarageWorkshop.com

## 27-1/2" x 27-1/2" x 3/4" Plywood

NOTE: All corners are 1" radius



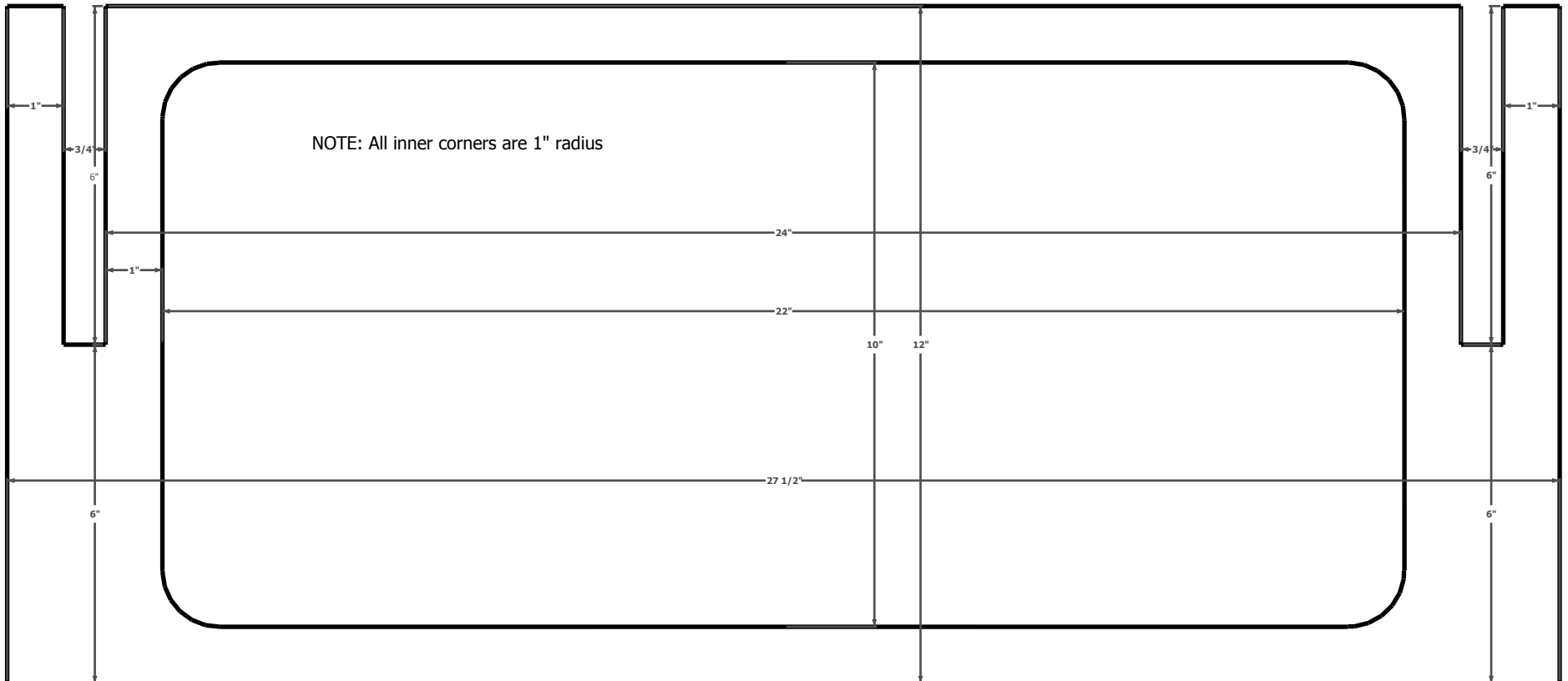
NOTE: Mounting holes are spaced for 16" for ceiling joists that are 16" on center. Adjust to your ceiling joists, and verify that joists are able to

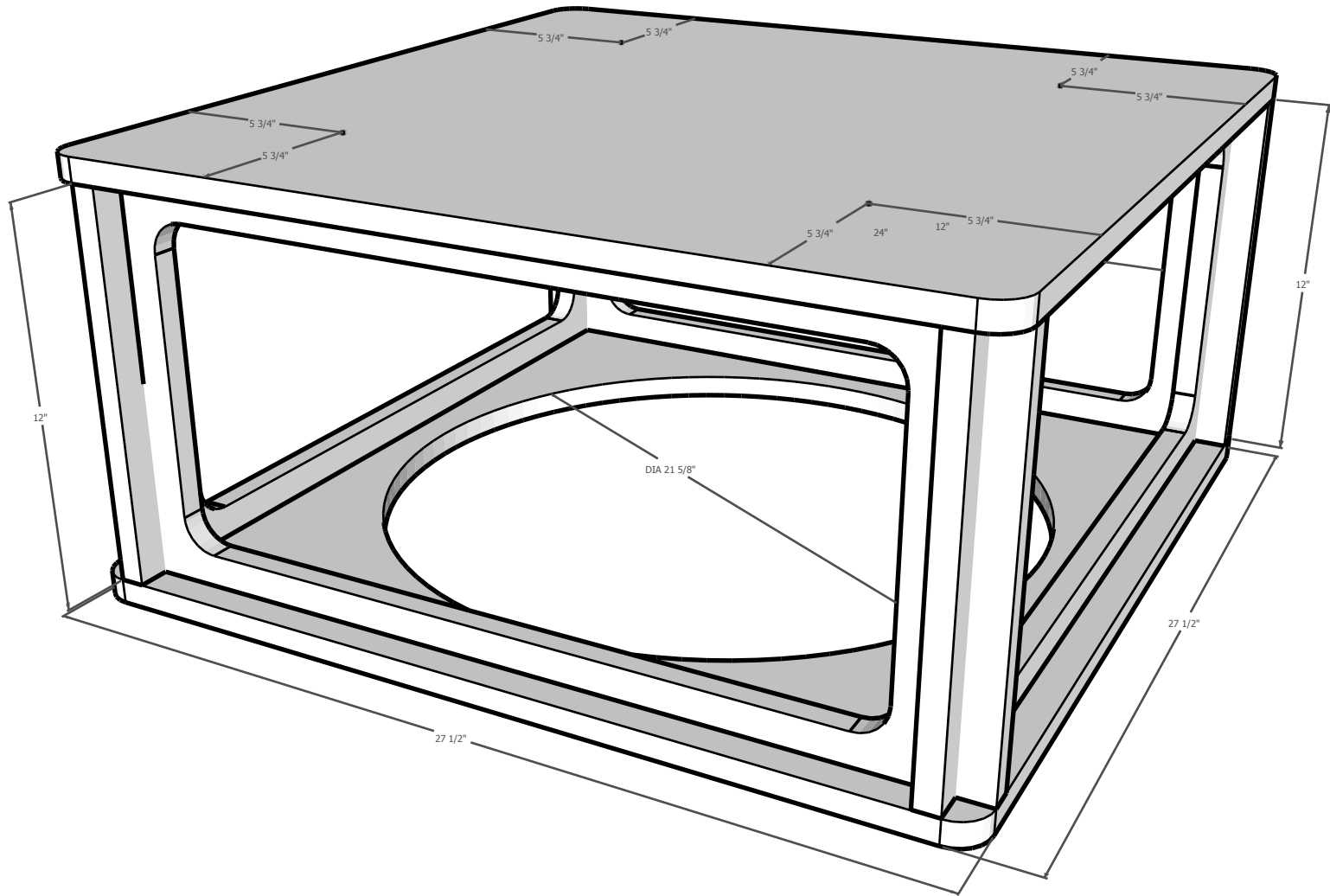
Copyright 2022, Suburban Garage Workshop, All Rights Reserved.  
These plans are for information purposes only. Build and use at own liability and risk.



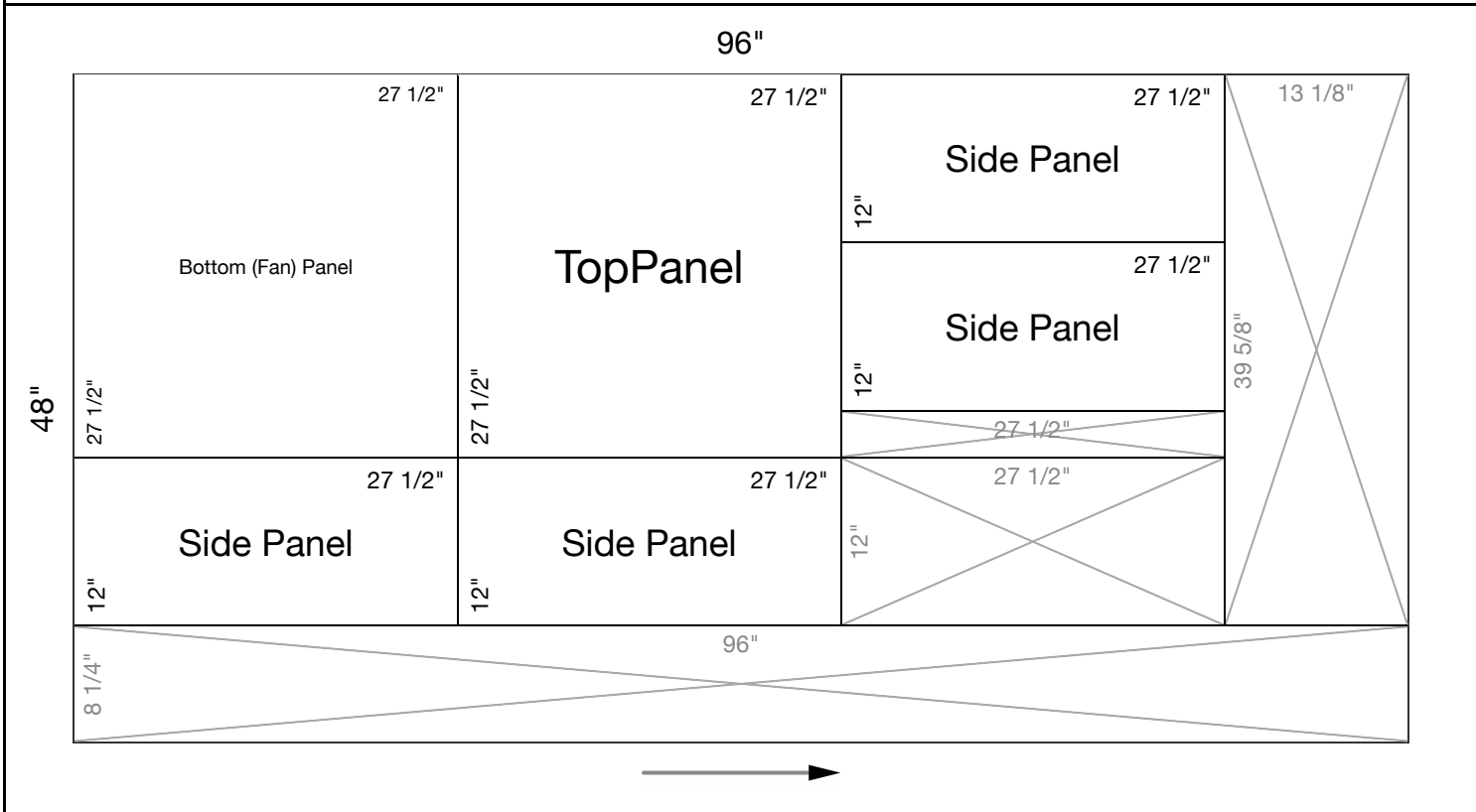
# Side Panels (x4)

27-1/2" x 12" x 3/4" Plywood





3/4 Plywood / 3/4" - 96" x 48" - Standard Panel



No.	Designation	Qty.	Finished	
			L	W
<b>A</b>	Bottom (Fan) Panel	1	27 1/2"	27 1/2"
<b>B</b>	TopPanel	1	27 1/2"	27 1/2"
<b>C</b>	Side Panel	4	27 1/2"	12"

Grain Follows Length | 6 parts

Length of cuts : 29.385417 ' | Efficiency : 61.47%